

PERSPECTIVE

FREEMAN

PROJECT Innovation Live
BOOTH # 9001

SHOW NAME HIMSS 2019
SHOW DATE 2/12/2019 through 2/14/2019
SHOW LOCATION OCCC, FL

SALES CONTACT Moriah Hathway-Casey
JOB NUMBER 452520
LINE ITEM NUMBER 4689671

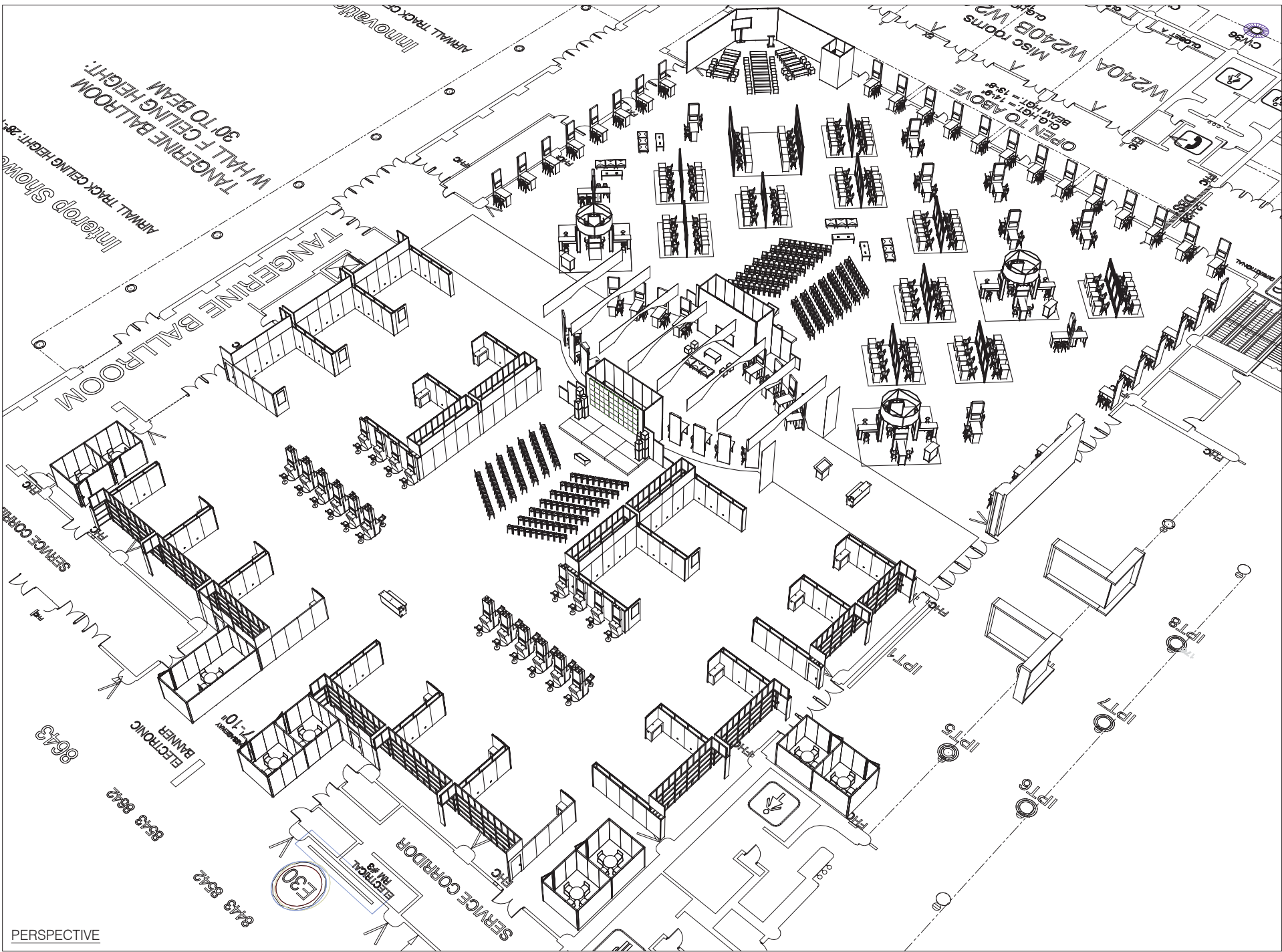
CREATED BY Orlando Romero

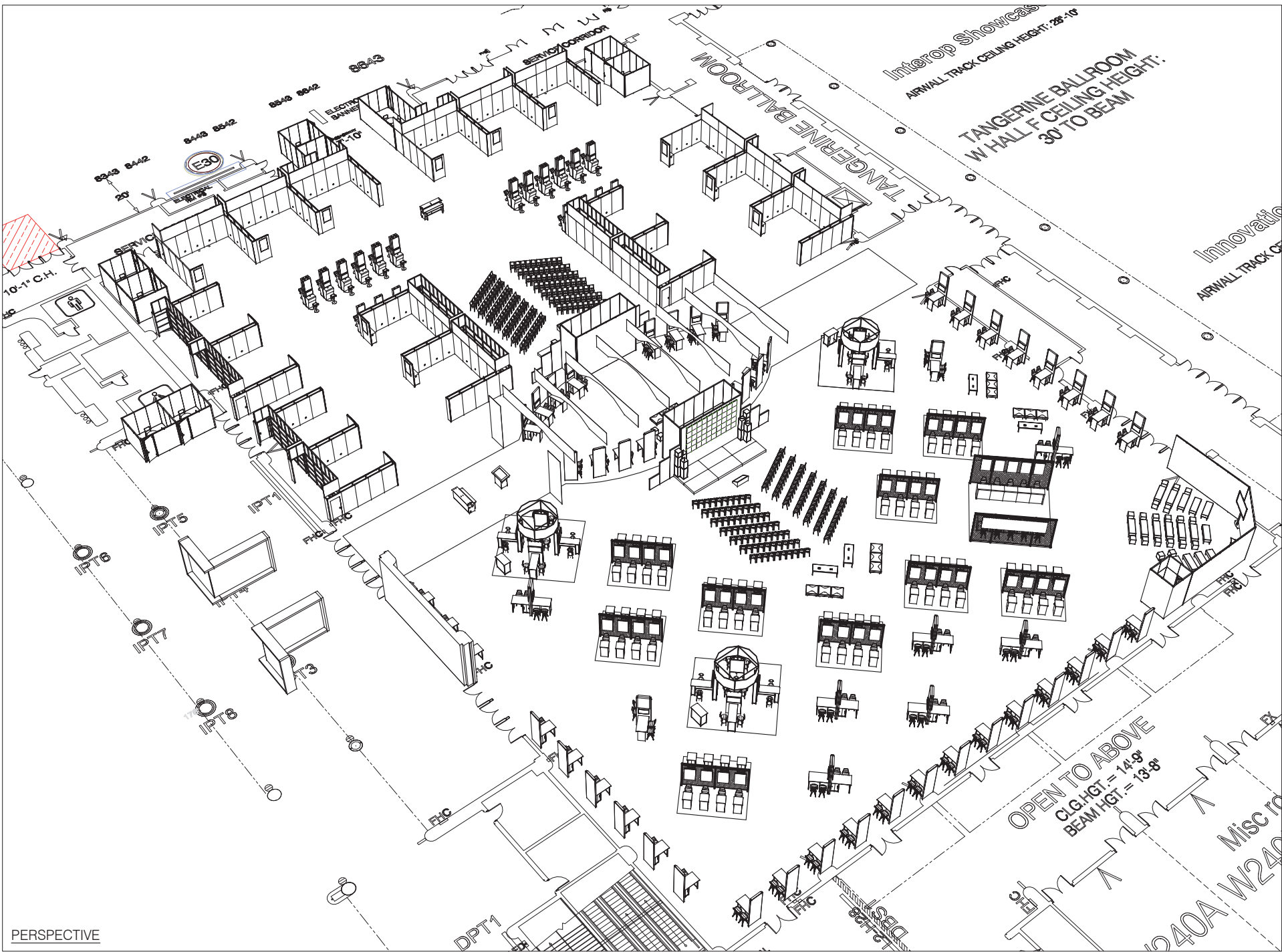
CREATION DATE 11/9/2018
REVISED 11/9/2018

PRODUCING BRANCH Orlando

FILE NAME P:/Chicago/Branch/NCRDC/_Out of Region/2019/HIMSS(452520)/Expo/Innovation Live/CAD/HIMSS19 Innovation Live 4689671 DES.dwg

The text, graphics, designs, logos, data compilations and information ("Content") contained in this Proposal are owned or controlled by Freeman and are protected by United States and international copyright and trade secret laws. Modification or reproduction of the Content for any purpose is strictly prohibited.





PERSPECTIVE

FREEMAN

PROJECT Innovation Live
BOOTH # 9001

SHOW NAME HIMSS 2019
SHOW DATE 2/12/2019 through 2/14/2019
SHOW LOCATION OCCC, FL

SALES CONTACT Moriah Hathway-Casey
JOB NUMBER 452520
LINE ITEM NUMBER 4689671

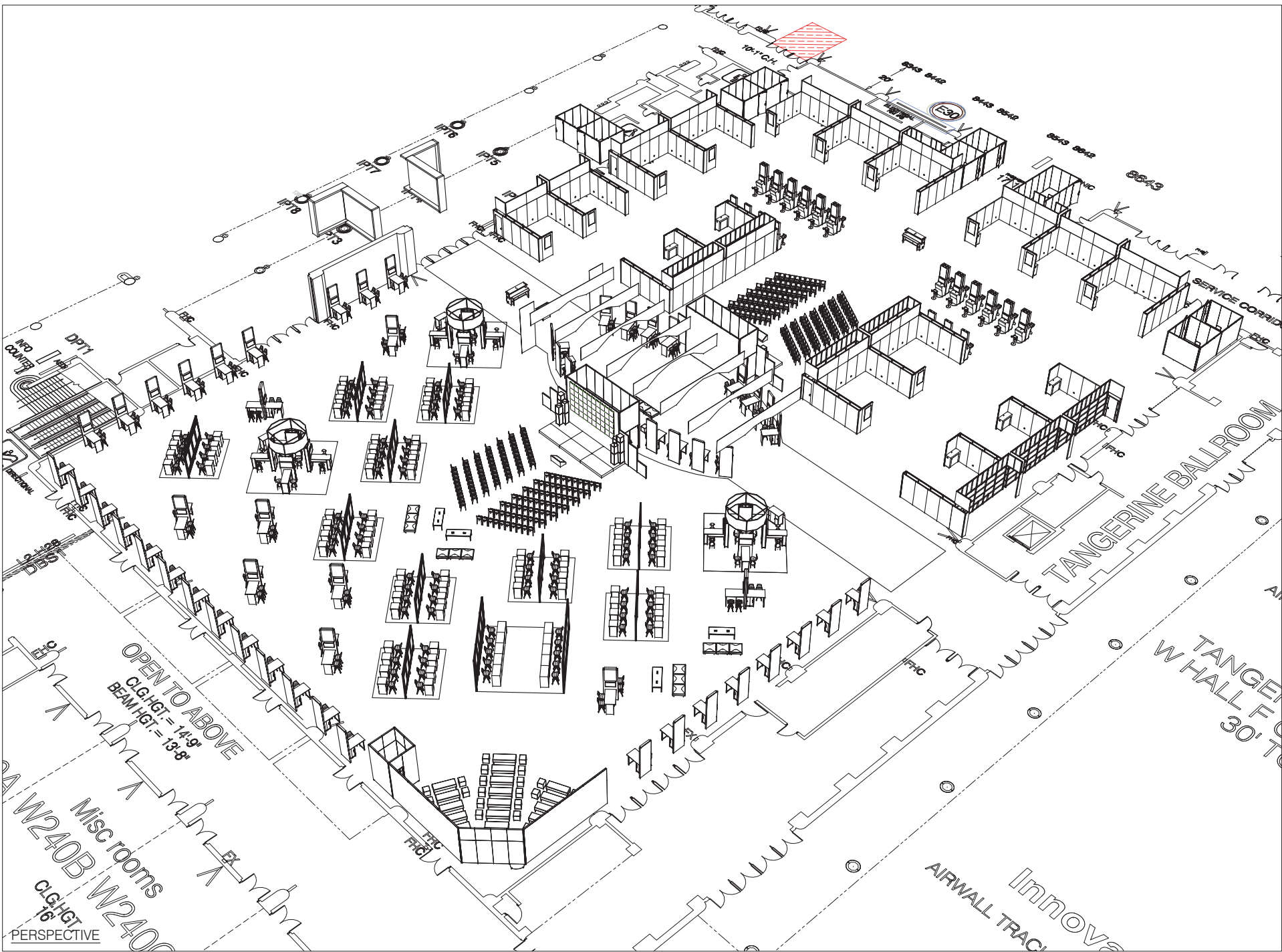
CREATED BY Orlando Romero

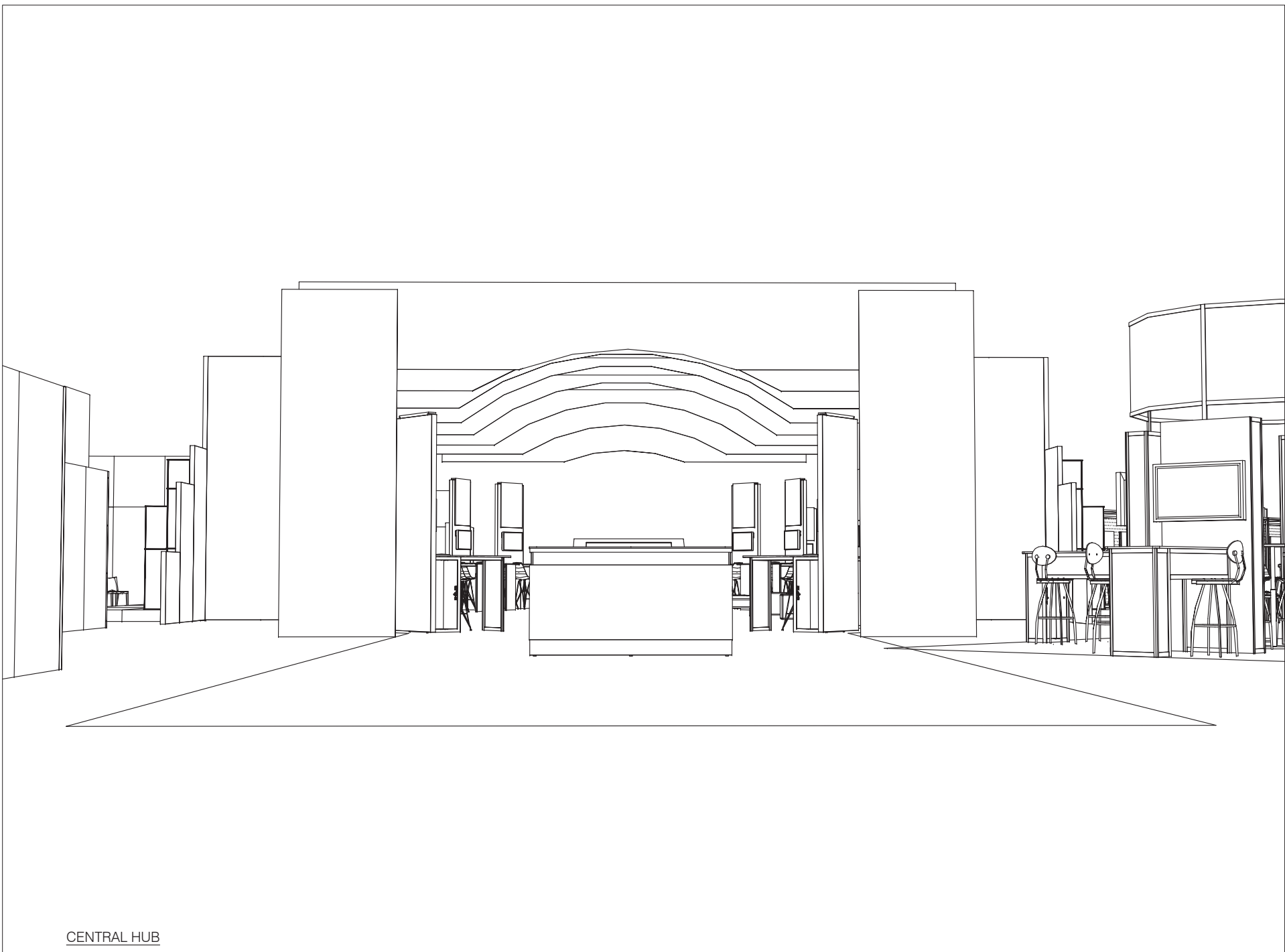
CREATION DATE 11/9/2018
REVISED 11/9/2018

PRODUCING BRANCH Orlando

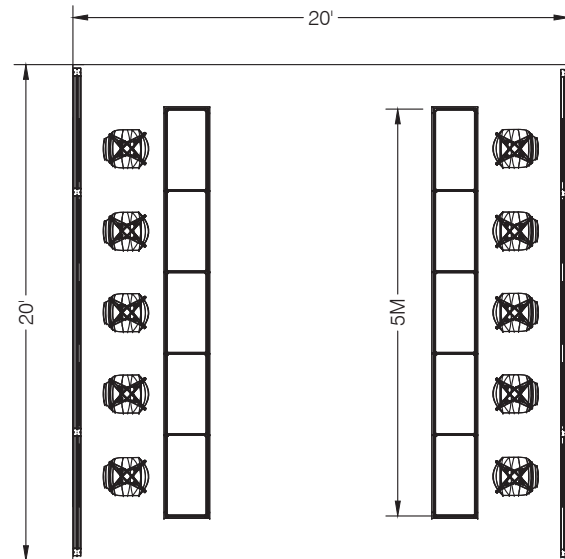
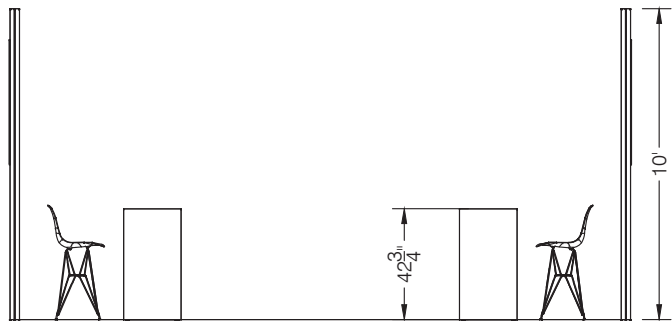
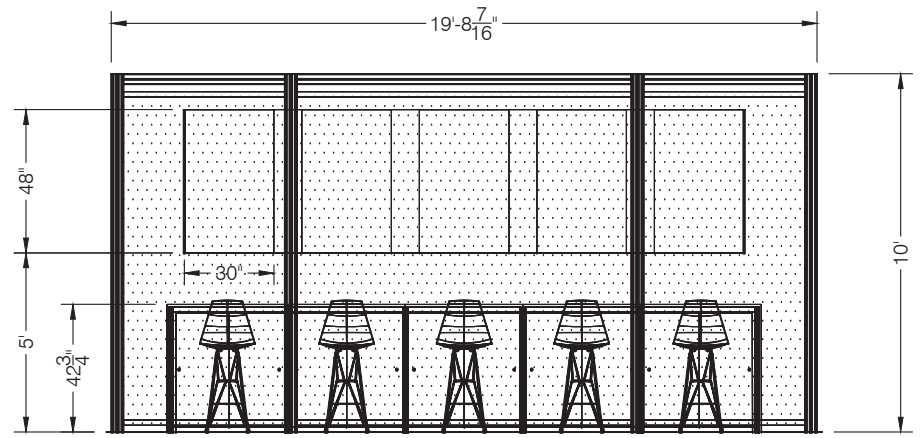
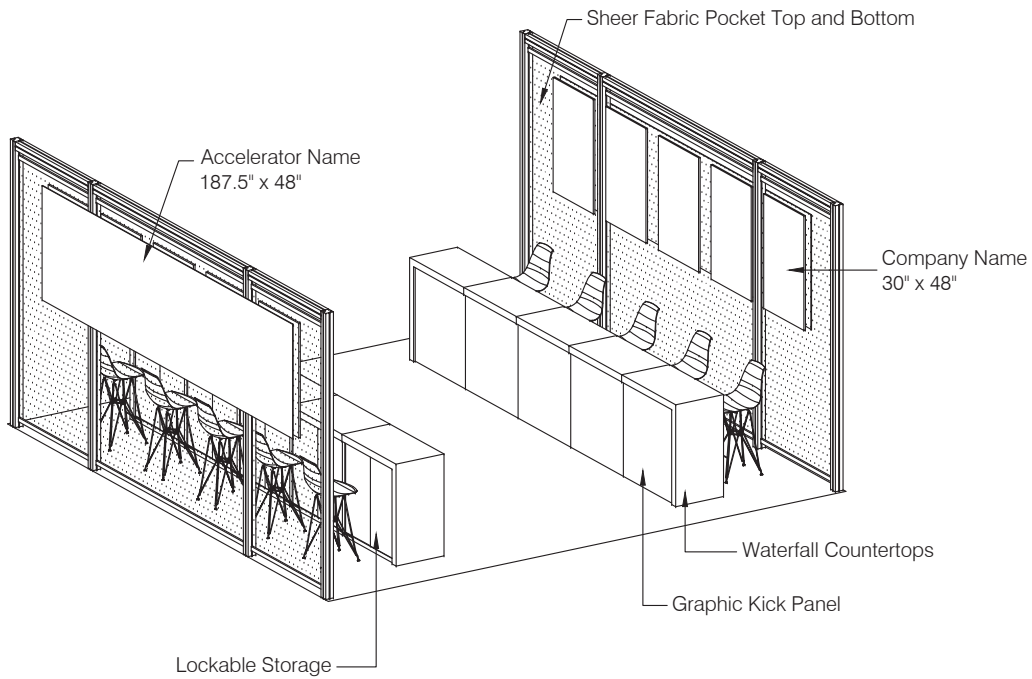
FILE NAME P:/Chicago/Branch/NCRDC/_Out of Region/2019/HIMSS(452520)/Expo/Innovation Live/CAD/HIMSS19 Innovation Live 4689671 DES.dwg

The text, graphics, designs, logos, data compilations and information ("Content") contained in this Proposal are owned or controlled by Freeman and are protected by United States and international copyright and trade secret laws. Modification or reproduction of the Content for any purpose is strictly prohibited.

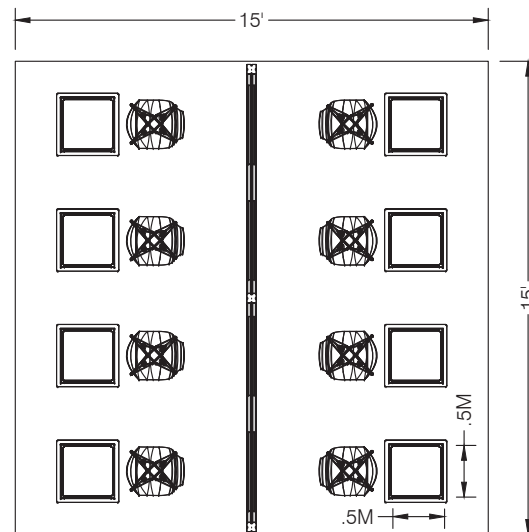
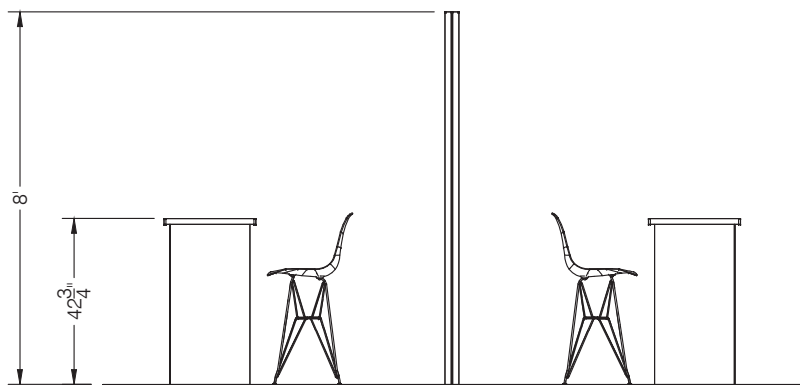
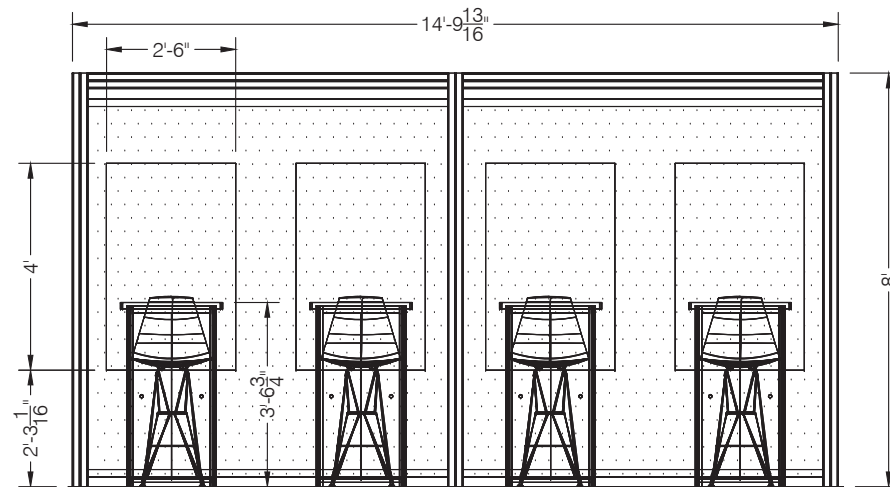
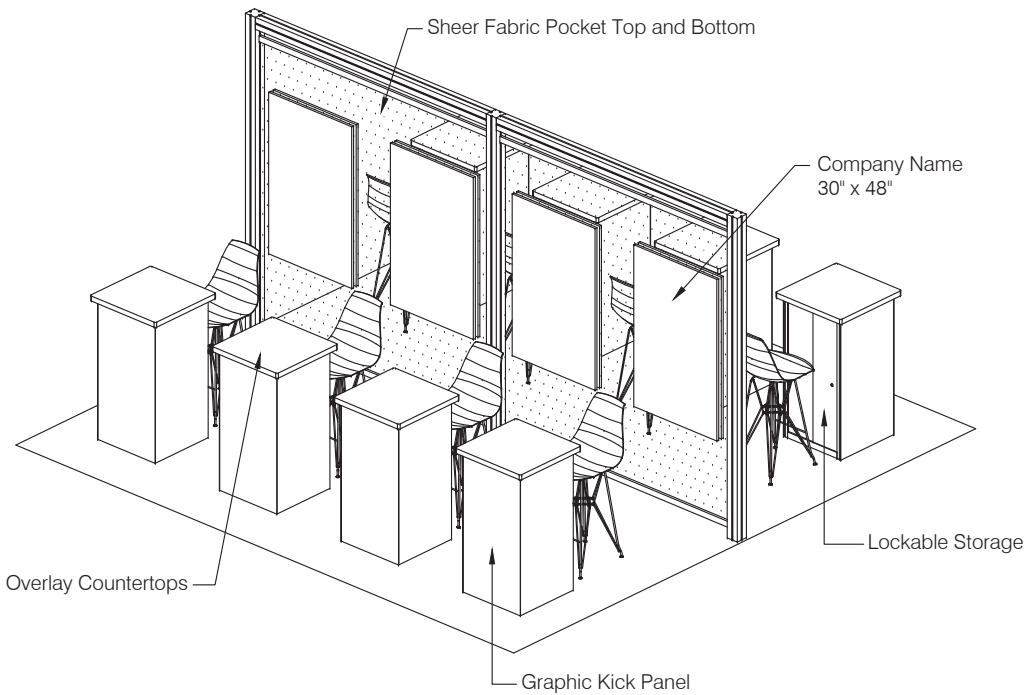




CENTRAL HUB



ACCELERATOR KIOSKS (10 COMPANIES PER 20X20 SPACE)



START UP KIOSK (8 COMPANIES PER 15X15 SPACE)

F R E E M A N

PROJECT Innovation Live
BOOTH # 9001

SHOW NAME HIMSS 2019
SHOW DATE 2/12/2019 through 2/14/2019
SHOW LOCATION OCCC, FL

SALES CONTACT Moriah Hathway-Casey
JOB NUMBER 452520
LINE ITEM NUMBER 4689671

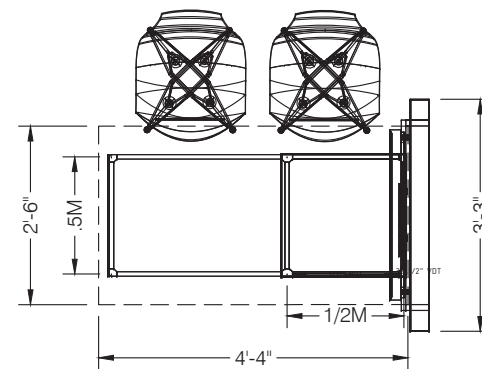
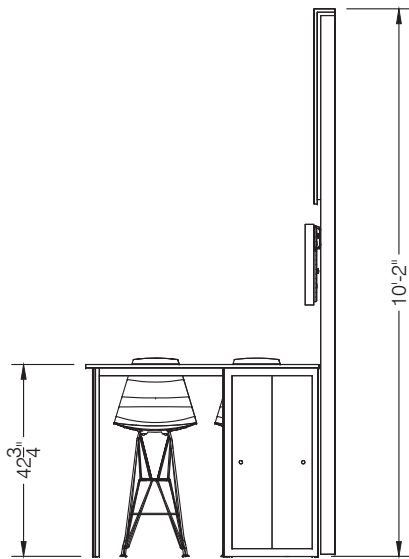
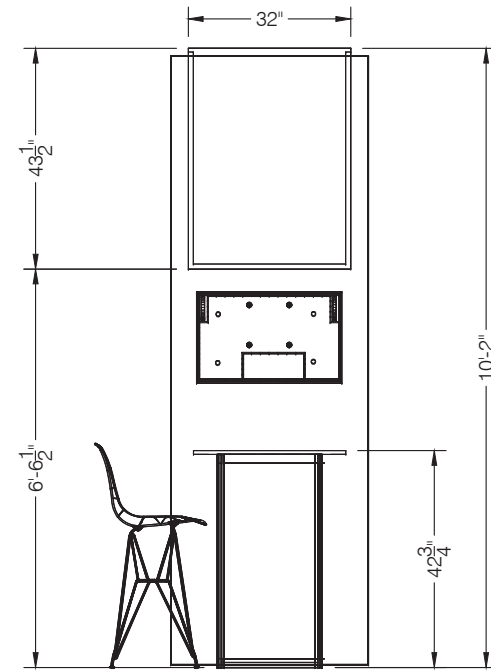
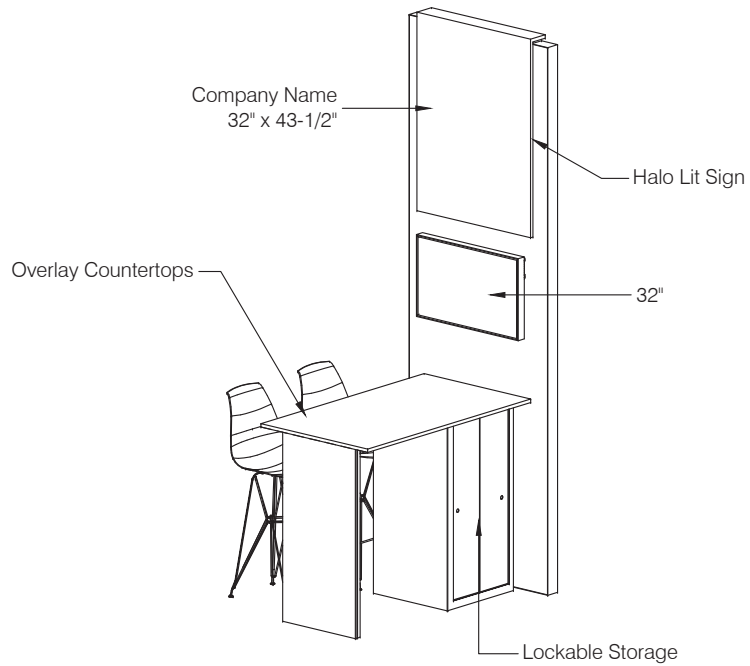
CREATED BY Orlando Romero

CREATION DATE 11/9/2018
REVISED 11/9/2018

PRODUCING BRANCH Orlando

FILE NAME P:/Chicago/Branch/NCRDC/_Out of Region/2019/HIMSS(452520)/Expo/Innovation Live/CAD/HIMSS19 Innovation Live 4689671 DES.dwg

The text, graphics, designs, logos, data compilations and information ("Content") contained in this Proposal are owned or controlled by Freeman and are protected by United States and international copyright and trade secret laws. Modification or reproduction of the Content for any purpose is strictly prohibited.



INNOVATION KIOSKS

F R E E M A N

PROJECT Innovation Live
BOOTH # 9001

SHOW NAME HIMSS 2019
SHOW DATE 2/12/2019 through 2/14/2019
SHOW LOCATION OCCC, FL

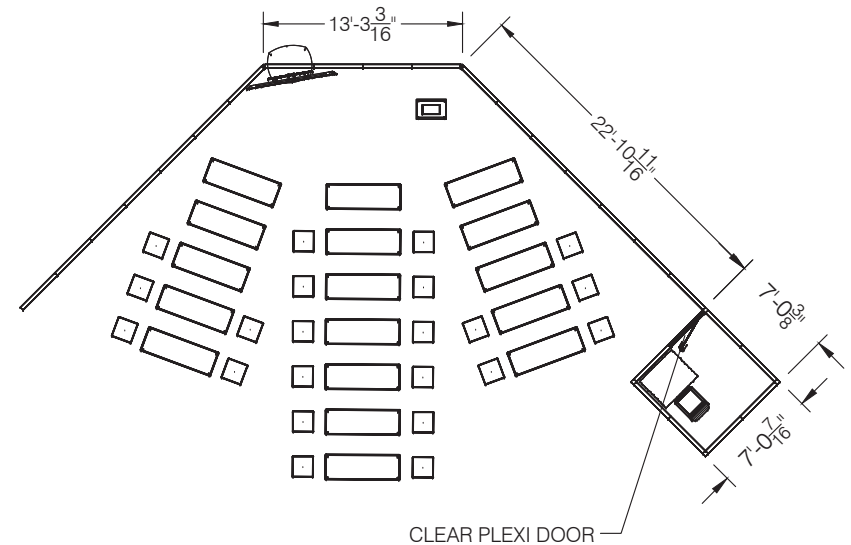
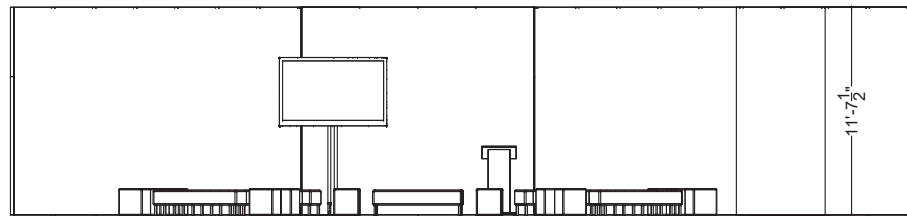
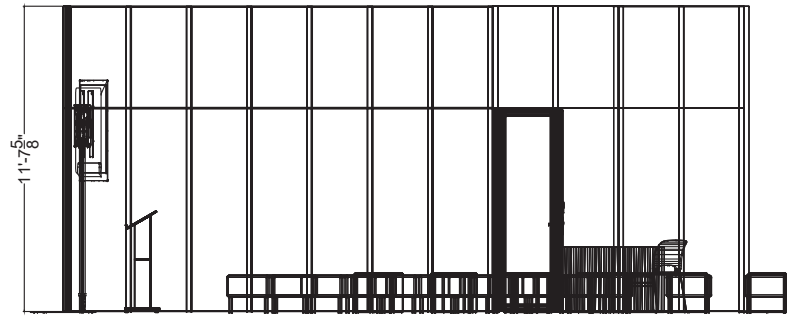
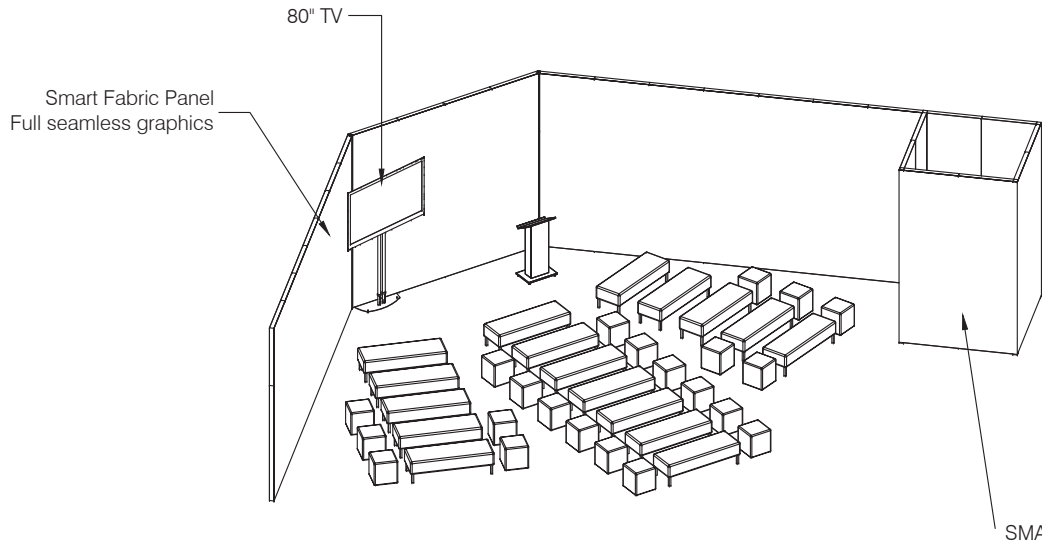
SALES CONTACT Moriah Hathway-Casey
JOB NUMBER 452520
LINE ITEM NUMBER 4689671

CREATED BY Orlando Romero

CREATION DATE 11/9/2018
REVISED 11/9/2018

PRODUCING BRANCH Orlando

FILE NAME P:/Chicago/Branch/NCRDC/_Out of Region/2019/HIMSS(452520)/Expo/Innovation Live/CAD/HIMSS19 Innovation Live 4689671 DES.dwg



DEVELOPERS LAB

F R E E M A N

PROJECT Innovation Live
BOOTH # 9001

SHOW NAME HIMSS 2019
SHOW DATE 2/12/2019 through 2/14/2019
SHOW LOCATION OCCC, FL

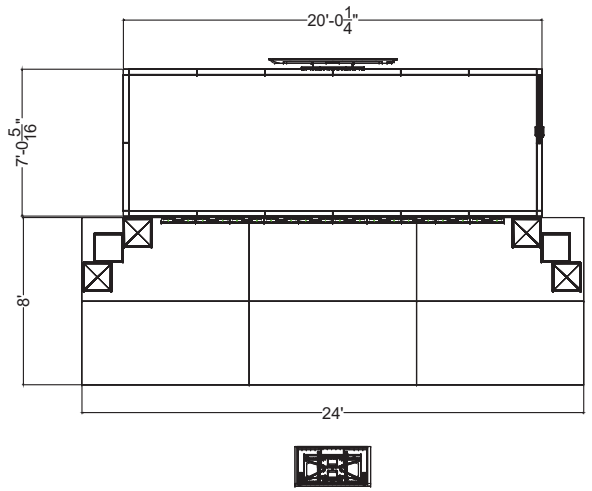
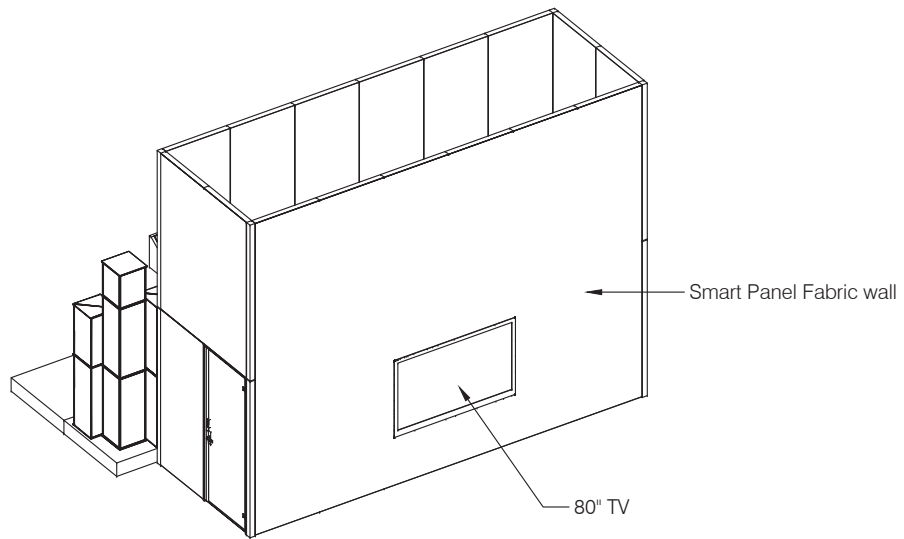
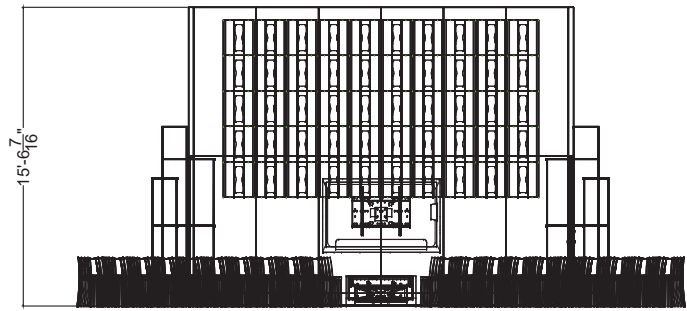
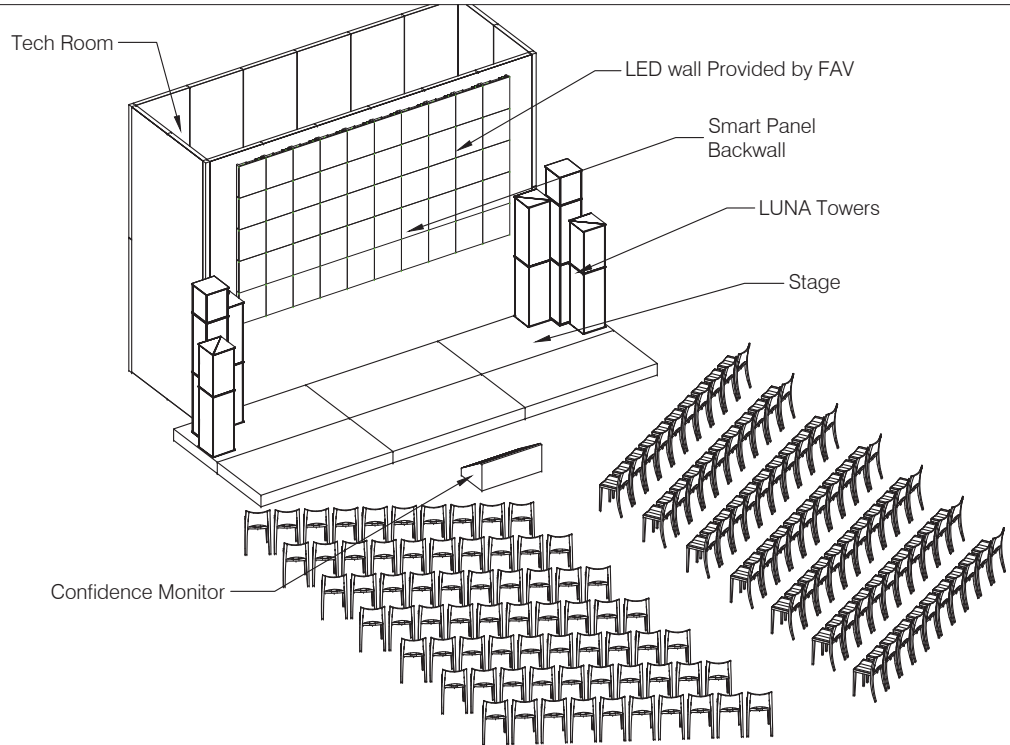
SALES CONTACT Moriah Hathway-Casey
JOB NUMBER 452520
LINE ITEM NUMBER 4689671

CREATED BY Orlando Romero

CREATION DATE 11/9/2018
REVISED 11/9/2018

PRODUCING BRANCH Orlando

FILE NAME P:/Chicago/Branch/NCRDC/_Out of Region/2019/HIMSS(452520)/Expo/Innovation Live/CAD/HIMSS19 Innovation Live 4689671 DES.dwg



STAGE

F R E E M A N

PROJECT Innovation Live
BOOTH # 9001

SHOW NAME HIMSS 2019
SHOW DATE 2/12/2019 through 2/14/2019
SHOW LOCATION OCCC, FL

SALES CONTACT Moriah Hathway-Casey
JOB NUMBER 452520
LINE ITEM NUMBER 4689671

CREATED BY Orlando Romero

CREATION DATE 11/9/2018
REVISED 11/9/2018

PRODUCING BRANCH Orlando

FILE NAME P: /Chicago/Branch/NCRDC/_Out of Region/2019/HIMSS(452520)/Expo/Innovation Live/CAD/HIMSS19 Innovation Live 4689671 DES.dwg